



# CHAMBER ENGINE SILENCERS



Stoddard Silencers, Inc.  
 1017 Progress Drive, Grayslake IL, 60030  
 Tel: (847) 223-8636 fax: (847) 223-8638  
 Web Page: [www.stoddardsilencersinc.com](http://www.stoddardsilencersinc.com)  
 Engine division: [www.stoddardenginesilencers.com](http://www.stoddardenginesilencers.com)

## Application

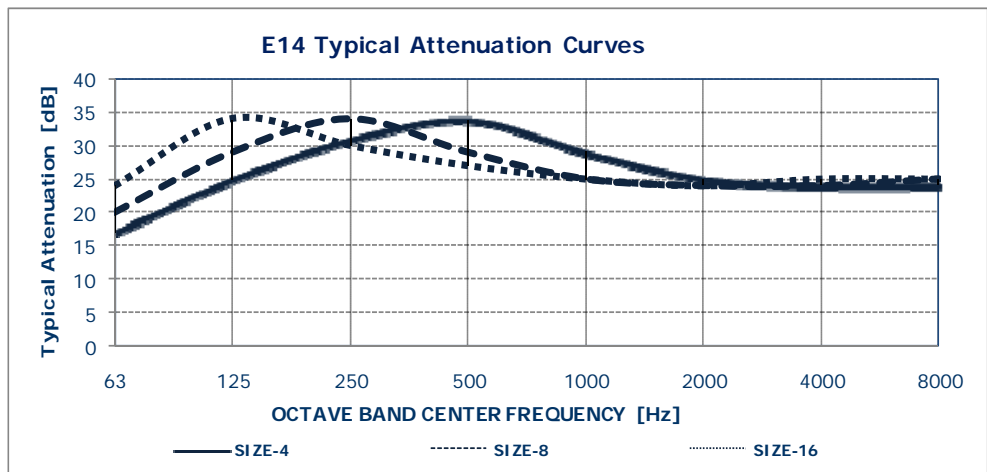
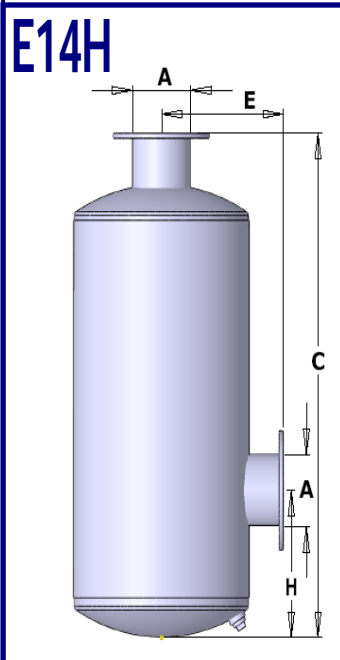
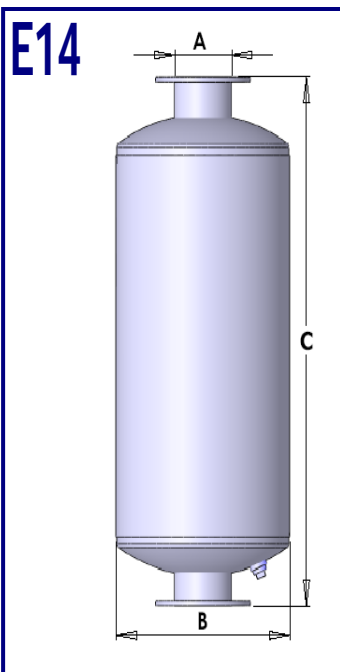
E14 Series Engine Silencers are recommended for use in residential, school or hotel areas where some background noise is present. The E14 Series Engine Silencer offers the opportunity to be used in critical locations on Turbo-Charged engines.

## Design

A multi-chambered silencer containing a special arrangement of volumes and air passageways to effectively reduce pulsations through the conversion of noise energy into heat. May be installed in horizontal or vertical position.

## Construction

All-welded steel construction for long service life. Exterior painted with high quality black heat resistant coating. Withstands temperatures up to 1200°F. Flanges drilled to match 125 lb. American Standard Flanges.



TL [dbA]= [27-33]

E14 PART NO.	MODEL	A	B	C
514-SSI-104	E14-04	4	14	53
514-SSI-105	E14-05	5	16	65
514-SSI-106	E14-06	6	18	72
514-SSI-108	E14-08	8	22	86
514-SSI-110	E14-10	10	26	98
514-SSI-112	E14-12	12	36	126
514-SSI-114	E14-14	14	36	138
514-SSI-116	E14-16	16	42	150
514-SSI-118	E14-18	18	48	166
514-SSI-120	E14-20	20	54	177
514-SSI-122	E14-22	22	60	193
514-SSI-124	E14-24	24	60	204

E14H PART NO.	MODEL	A	B	C	E	H Min.	H Max.
514-SSI-204	E14H-04	4	14	50	10	7	22
514-SSI-205	E14H-05	5	16	62	11	7	22
514-SSI-206	E14H-06	6	18	69	12	8	28
514-SSI-208	E14H-08	8	22	83	14	8	28
514-SSI-210	E14H-10	10	26	95	16	14	31
514-SSI-212	E14H-12	12	36	123	21	18	43
514-SSI-214	E14H-14	14	36	135	21	19	49
514-SSI-216	E14H-16	16	42	148	24	21	54
514-SSI-218	E14H-18	18	48	162	27	24	61
514-SSI-220	E14H-20	20	54	175	30	26	66
514-SSI-222	E14H-22	22	60	190	33	29	71
514-SSI-224	E14H-24	24	60	201	33	30	78

Dimensions are in inches

**Larger sizes available upon request.  
 We specialize in custom design silencers.**

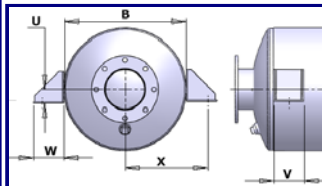


# ACCESSORIES

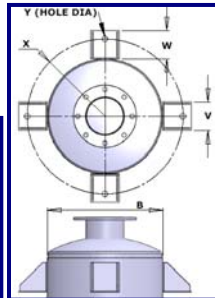
Stoddard Silencers, Inc.  
 1017 Progress Drive, Grayslake IL, 60030  
 Tel: (847) 223-8636 fax: (847) 223-8638  
 Web Page: www.stoddardsilencersinc.com  
 Engine division: www.stoddardenginesilencers.com

## Mounting Clips

Horizontal



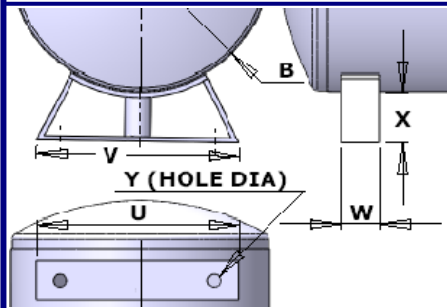
Vertical



PART NO.	B Shell Dia.	Y	W	V	U	WT. PER BRACKET
A14-101	Up to 18"	0.75	2.5	3	1.25	2
A14-102	20" to 26"	1	3	4	1.5	3.5
A14-103	30" to 48"	1.25	4	4	2	6
A14-104	54" to 72"	1.375	6	6	3	15

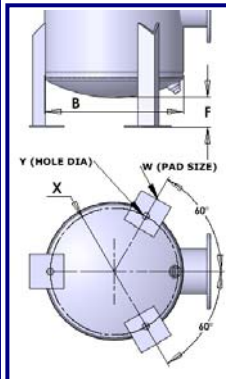
Other sizes available

## Horizontal Mounting Brackets



PART NO.	B	V	W	U	Y	X	WT. PER BRACKET
A12-101	12	10	3	6	1	3	5
A12-102	14	11.5	3	7	1	3	6
A12-103	16	13.125	3	9	1	4	6.5
A12-104	18	15	3	11	1	4	7
A12-105	20	15.75	3	12	1	4	8
A12-106	22	16.625	3	13	1	4	8.5
A12-107	24	17.75	3	13	1	4	9
A12-108	26	19.375	3	15	1	4	9.5
A12-109	30	21.5	3	17	1	4	11
A12-110	36	25.625	4	19	1.3	4	25
A12-111	42	29.125	4	23	1.3	4	28
A12-112	48	32.625	4	26	1.3	4	31

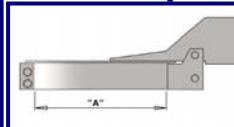
## Vertical Mounting Brackets



PART NO.	B Shell Dia.	Y	W	WT. PER BRACKET
A11-101	Up to 16"	0.875	4 x 4	3.5
A11-102	18" to 30"	1	5 x 5	6
A11-103	32" to 48"	1.25	6 x 6	11
A11-104	54" to 72"	1.375	7 x 7	32
A11-105	76" to 102"	1.375	9 x 9	70

Other sizes available

## Rain Caps



PART NO.	"A" NOM PIPE SIZE	WT. PER BRACKET
A23-107	4	1.5
A23-108	5	1.75
A23-109	6	6.5
A23-110	8	9
A23-111	10	10.5
A23-112	12	13.5
A23-113	14	15.5
A23-114	16	18
A23-115	18	20.5

Other sizes available

OTHER ACCESSORIES AVAILABLE UPON REQUEST.