



ENGINE SPARK ARRESTER SILENCERS



Stoddard Silencers, Inc.
 1017 Progress Drive, Grayslake IL, 60030
 Tel: (847) 223-8636 fax: (847) 223-8638
 Web Page: www.stoddardsilencersinc.com
 Engine division: www.stoddardenginesilencers.com

Application

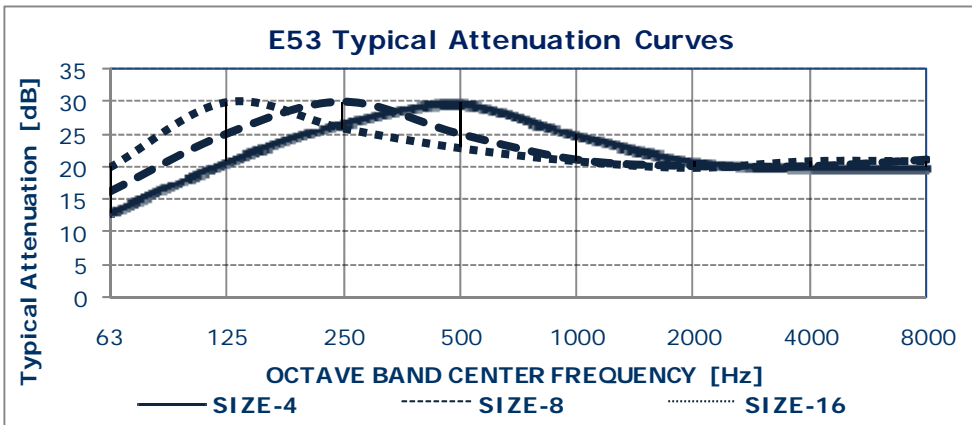
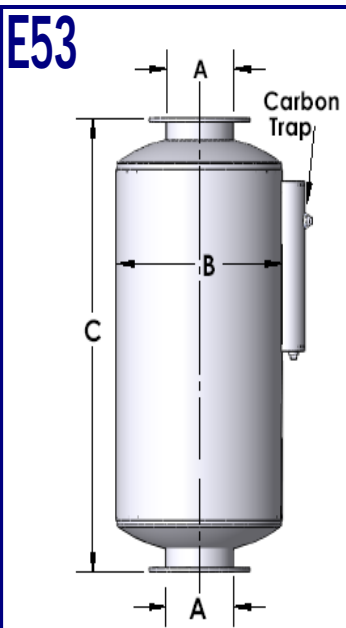
The E52 spark arrester silencers are recommended for use on the exhaust of engines employed in marine applications or areas where fire hazards exist. The spark arrester silencer removes burning carbon particles from the exhaust gas going to the atmosphere. The E53 is a multi-chamber semi-critical grade spark arrester silencer.

Design

The E53 Silencer incorporates a stationary device which creates a rotational force that directs the sparks toward the silencer wall and into a carbon trap. The remaining exhaust gas then passes through the perforated tubes and silencing chamber to the atmosphere. The silencer is designed for horizontal or vertical installation.

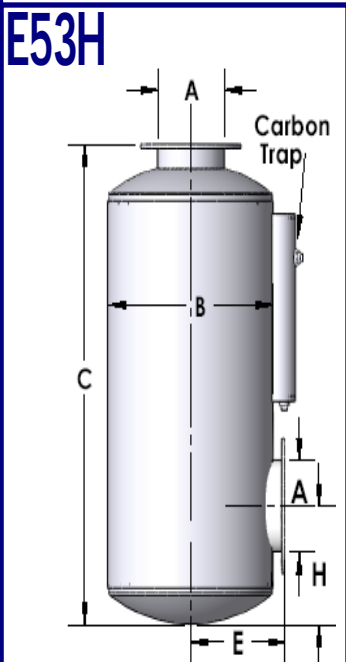
Construction

Robust all-welded steel construction for long service life. Exterior painted with high quality black heat resistant coating. Flanges drilled to match 125 lb. American Standard Flanges.



TL [dbA]= [23-29]

E53 PART NO.	MODEL	A	B	C
553-SSI-104	E53-04	4	14	48
553-SSI-105	E53-05	5	16	55
553-SSI-106	E53-06	6	18	63
553-SSI-108	E53-08	8	22	76
553-SSI-110	E53-10	10	26	91
553-SSI-112	E53-12	12	30	109
553-SSI-114	E53-14	14	36	102
553-SSI-116	E53-16	16	42	119
553-SSI-118	E53-18	18	42	127
553-SSI-120	E53-20	20	48	144
553-SSI-122	E53-22	22	54	161
553-SSI-124	E53-24	24	60	165



Information on side entry ("H" configuration) silencers available on request.

Dimensions are in inches

**Larger sizes available upon request.
 We specialize in custom design silencers.**

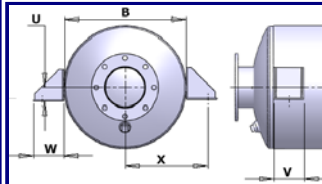


ACCESSORIES

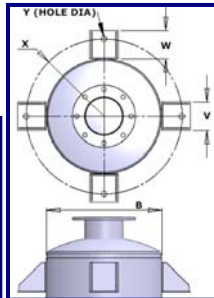
Stoddard Silencers, Inc.
 1017 Progress Drive, Grayslake IL, 60030
 Tel: (847) 223-8636 fax: (847) 223-8638
 Web Page: www.stoddardsilencersinc.com
 Engine division: www.stoddardenginesilencers.com

Mounting Clips

Horizontal



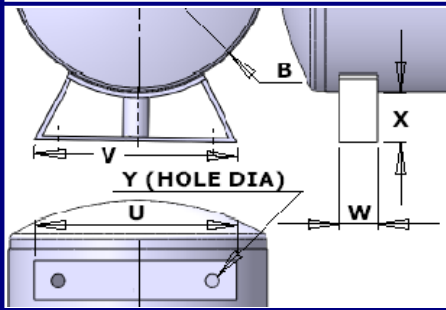
Vertical



PART NO.	B Shell Dia.	Y	W	V	U	WT. PER BRACKET
A14-101	Up to 18"	0.75	2.5	3	1.25	2
A14-102	20" to 26"	1	3	4	1.5	3.5
A14-103	30" to 48"	1.25	4	4	2	6
A14-104	54" to 72"	1.375	6	6	3	15

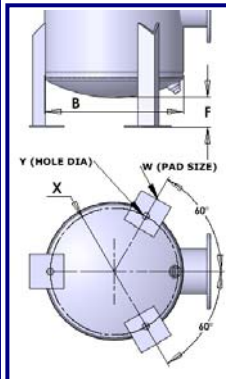
Other sizes available

Horizontal Mounting Brackets



PART NO.	B	V	W	U	Y	X	WT. PER BRACKET
A12-101	12	10	3	6	1	3	5
A12-102	14	11.5	3	7	1	3	6
A12-103	16	13.125	3	9	1	4	6.5
A12-104	18	15	3	11	1	4	7
A12-105	20	15.75	3	12	1	4	8
A12-106	22	16.625	3	13	1	4	8.5
A12-107	24	17.75	3	13	1	4	9
A12-108	26	19.375	3	15	1	4	9.5
A12-109	30	21.5	3	17	1	4	11
A12-110	36	25.625	4	19	1.3	4	25
A12-111	42	29.125	4	23	1.3	4	28
A12-112	48	32.625	4	26	1.3	4	31

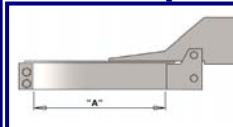
Vertical Mounting Brackets



PART NO.	B Shell Dia.	Y	W	WT. PER BRACKET
A11-101	Up to 16"	0.875	4 x 4	3.5
A11-102	18" to 30"	1	5 x 5	6
A11-103	32" to 48"	1.25	6 x 6	11
A11-104	54" to 72"	1.375	7 x 7	32
A11-105	76" to 102"	1.375	9 x 9	70

Other sizes available

Rain Caps



PART NO.	"A" NOM PIPE SIZE	WT. PER BRACKET
A23-107	4	1.5
A23-108	5	1.75
A23-109	6	6.5
A23-110	8	9
A23-111	10	10.5
A23-112	12	13.5
A23-113	14	15.5
A23-114	16	18
A23-115	18	20.5

Other sizes available

OTHER ACCESSORIES AVAILABLE UPON REQUEST.