



CHAMBER-RESONATOR ENGINE SILENCERS

E31, E33

Stoddard Silencers, Inc.
 1017 Progress Drive, Grayslake IL, 60030
 Tel: (847) 223-8636 fax: (847) 223-8638
 Web Page: www.stoddardsilencersinc.com
 Engine division: www.stoddardenginesilencers.com

Application

Chamber Resonator Series Engine Silencers are designed for turbo-charged engines. These types of Chamber Resonator Silencers are recommended for low pressure drop requirements. The E31 Chamber Resonator Series Engine Silencer is recommended where the background noise level are comparatively high (use in semi-critical or semi-residential areas where background noise is always present). The E33 Chamber Resonator Series Engine Silencer can be used in critical areas where a high degree of attention is required. Both styles can be used with Turbo-Charged engines. Specific noise problems or applications should be discussed with factory personnel.

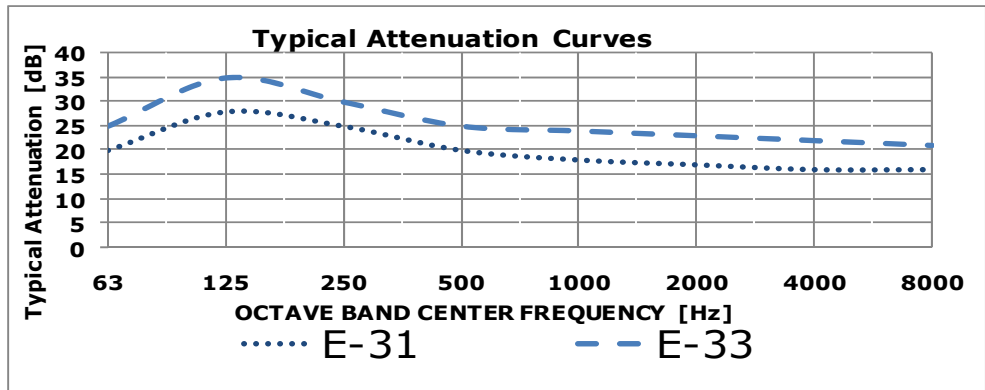
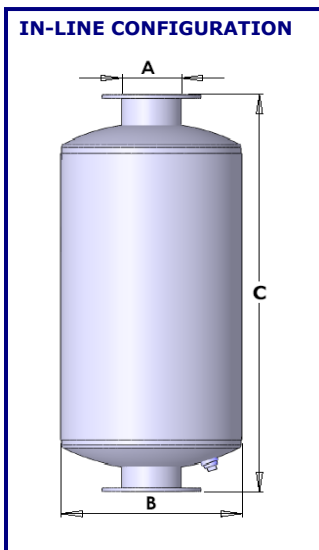
Design

Exhaust gases flow through a ported tube and resonator chambers which attenuates the noise over a wide band of frequencies. These silencers are recommended for low pressure drop requirements. The silencers can be installed horizontal or vertical positions. A side entry configuration is available.

Individual dimensional drawings are available on request.

Construction

Robust all-welded steel construction for long service life. Exterior finished in a quality black heat resistant finish coating. Flanges drilled to 150# American Standard Flange patterns.



TL [dba]= [16-22] [25-31]

SPECIAL CONFIGURATIONS AVAILABLE UPON REQUEST

MODEL	E31			E33	
A	B	C	B	C	
size	Dia	OAL	Dia	OAL	
4	10	51	14	60	
5	12	54	16	70	
6	16	58	18	72	
8	20	60	24	97	
10	24	72	28	112	
12	30	64	36	115	
14	36	78	36	126	
16	36	90	42	140	
18	42	102	48	180	
20	48	104	48	190	
22	48	148	54	191	
24	54	156	60	216	

Dimensions are in inches

**Larger sizes available upon request.
 We specialize in custom design silencers.**

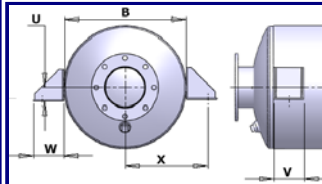


ACCESSORIES

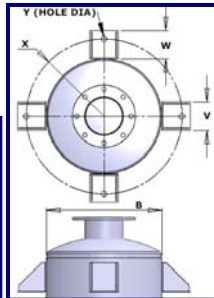
Stoddard Silencers, Inc.
 1017 Progress Drive, Grayslake IL, 60030
 Tel: (847) 223-8636 fax: (847) 223-8638
 Web Page: www.stoddardsilencersinc.com
 Engine division: www.stoddardenginesilencers.com

Mounting Clips

Horizontal



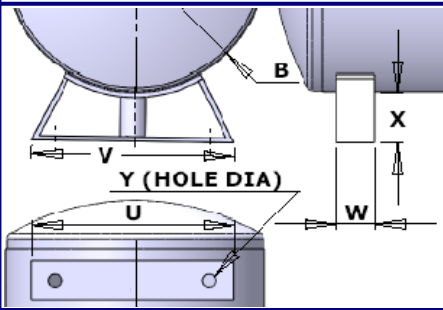
Vertical



PART NO.	B Shell Dia.	Y	W	V	U	WT. PER BRACKET
A14-101	Up to 18"	0.75	2.5	3	1.25	2
A14-102	20" to 26"	1	3	4	1.5	3.5
A14-103	30" to 48"	1.25	4	4	2	6
A14-104	54" to 72"	1.375	6	6	3	15

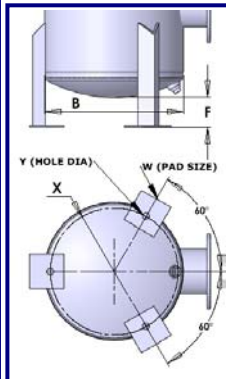
Other sizes available

Horizontal Mounting Brackets



PART NO.	B	V	W	U	Y	X	WT. PER BRACKET
A12-101	12	10	3	6	1	3	5
A12-102	14	11.5	3	7	1	3	6
A12-103	16	13.125	3	9	1	4	6.5
A12-104	18	15	3	11	1	4	7
A12-105	20	15.75	3	12	1	4	8
A12-106	22	16.625	3	13	1	4	8.5
A12-107	24	17.75	3	13	1	4	9
A12-108	26	19.375	3	15	1	4	9.5
A12-109	30	21.5	3	17	1	4	11
A12-110	36	25.625	4	19	1.3	4	25
A12-111	42	29.125	4	23	1.3	4	28
A12-112	48	32.625	4	26	1.3	4	31

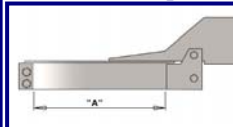
Vertical Mounting Brackets



PART NO.	B Shell Dia.	Y	W	WT. PER BRACKET
A11-101	Up to 16"	0.875	4 x 4	3.5
A11-102	18" to 30"	1	5 x 5	6
A11-103	32" to 48"	1.25	6 x 6	11
A11-104	54" to 72"	1.375	7 x 7	32
A11-105	76" to 102"	1.375	9 x 9	70

Other sizes available

Rain Caps



PART NO.	"A" NOM PIPE SIZE	WT. PER BRACKET
A23-107	4	1.5
A23-108	5	1.75
A23-109	6	6.5
A23-110	8	9
A23-111	10	10.5
A23-112	12	13.5
A23-113	14	15.5
A23-114	16	18
A23-115	18	20.5

Other sizes available

OTHER ACCESSORIES AVAILABLE UPON REQUEST.