



# ENGINE SPARK ARRESTER SILENCERS



Stoddard Silencers, Inc.  
 1017 Progress Drive, Grayslake IL, 60030  
 Tel: (847) 223-8636 fax: (847) 223-8638  
 Web Page: [www.stoddardsilencersinc.com](http://www.stoddardsilencersinc.com)  
 Engine division: [www.stoddardenginesilencers.com](http://www.stoddardenginesilencers.com)

## Application

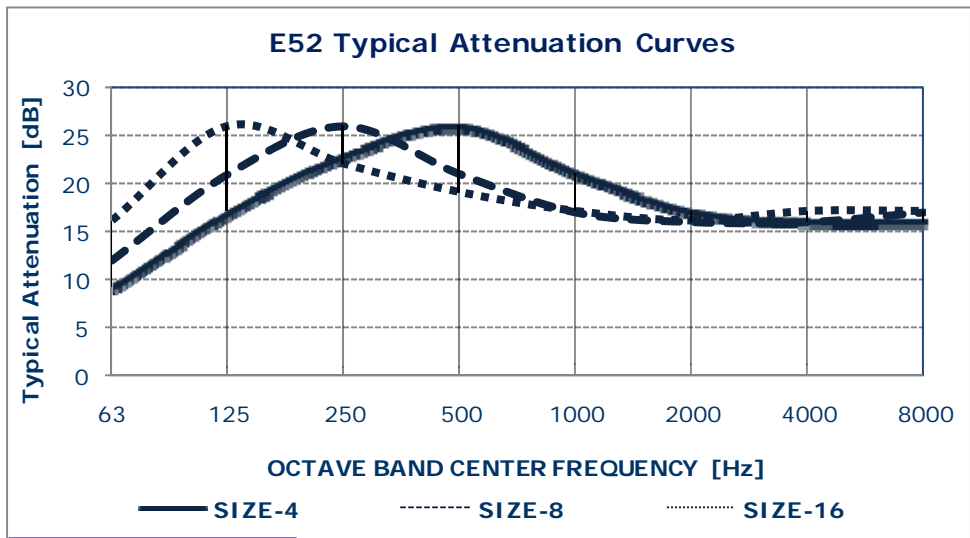
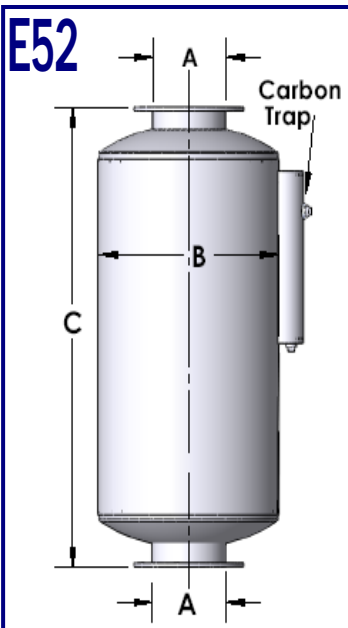
The E52 spark arrester silencers are recommended for use on the exhaust of engines employed in marine applications or areas where fire hazards may exist. The spark arrester silencer removes burning carbon particles from the exhaust gas going to the atmosphere. The E52 is a multi-chamber medium residential grade arrester silencer.

## Design

The E52 Silencer incorporates a stationary device which creates a rotational force that directs the sparks toward the silencer wall and into a carbon trap. The remaining clean exhaust gas then passes through the perforated tubes and silencing chamber to the atmosphere. The silencer is designed for horizontal or vertical installation.

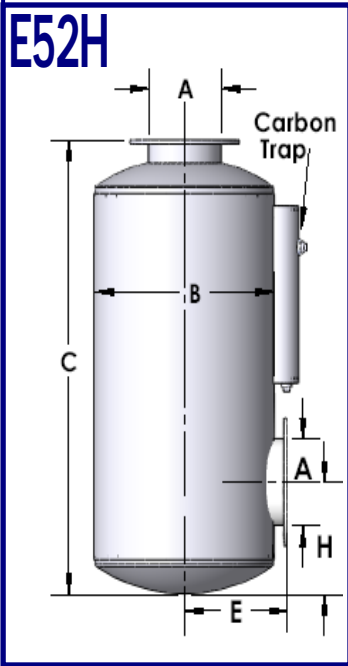
## Construction

Robust all-welded steel construction for long service life. Exterior painted with high quality black heat resistant coating. Flanges drilled to match 125 lb. American Standard Flanges.



TL [dbA]= [18-24]

E52 PART NO.	MODEL	A	B	C
552-SSI-104	E52-04	4	14	34
552-SSI-105	E52-05	5	16	39
552-SSI-106	E52-06	6	18	45
552-SSI-108	E52-08	8	22	56
552-SSI-110	E52-10	10	26	59
552-SSI-112	E52-12	12	30	69
552-SSI-114	E52-14	14	36	77
552-SSI-116	E52-16	16	42	87
552-SSI-118	E52-18	18	42	100
552-SSI-120	E52-20	20	54	108
552-SSI-122	E52-22	22	54	116
552-SSI-124	E52-24	24	60	128



**Information on side entry ("H" configuration) silencers available on request.**

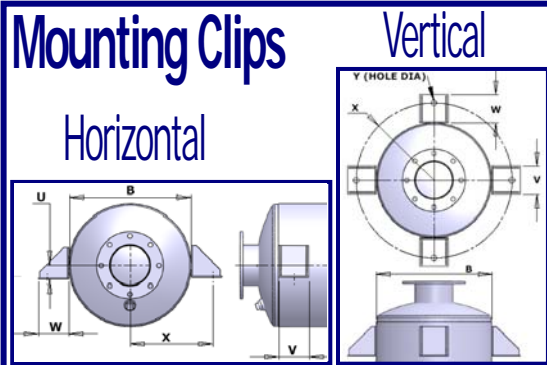
Dimensions are in inches

**Larger sizes available upon request. We specialize in custom design silencers.**



# ACCESSORIES

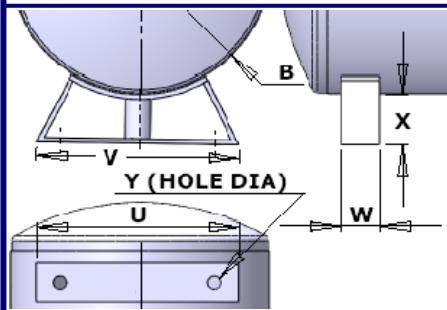
Stoddard Silencers, Inc.  
 1017 Progress Drive, Grayslake IL, 60030  
 Tel: (847) 223-8636 fax: (847) 223-8638  
 Web Page: www.stoddardsilencersinc.com  
 Engine division: www.stoddardenginesilencers.com



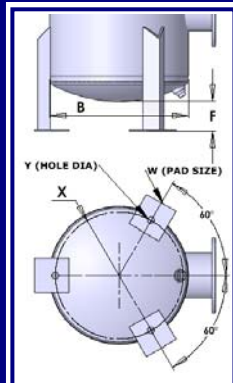
PART NO.	B Shell Dia.	Y	W	V	U	WT. PER BRACKET
A14-101	Up to 18"	0.75	2.5	3	1.25	2
A14-102	20" to 26"	1	3	4	1.5	3.5
A14-103	30" to 48"	1.25	4	4	2	6
A14-104	54" to 72"	1.375	6	6	3	15

Other sizes available

## Horizontal Mounting Brackets



PART NO.	B	V	W	U	Y	X	WT. PER BRACKET
A12-101	12	10	3	6	1	3	5
A12-102	14	11.5	3	7	1	3	6
A12-103	16	13.125	3	9	1	4	6.5
A12-104	18	15	3	11	1	4	7
A12-105	20	15.75	3	12	1	4	8
A12-106	22	16.625	3	13	1	4	8.5
A12-107	24	17.75	3	13	1	4	9
A12-108	26	19.375	3	15	1	4	9.5
A12-109	30	21.5	3	17	1	4	11
A12-110	36	25.625	4	19	1.3	4	25
A12-111	42	29.125	4	23	1.3	4	28
A12-112	48	32.625	4	26	1.3	4	31

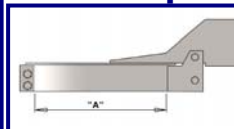


## Vertical Mounting Brackets

PART NO.	B Shell Dia.	Y	W	WT. PER BRACKET
A11-101	Up to 16"	0.875	4 x 4	3.5
A11-102	18" to 30"	1	5 x 5	6
A11-103	32" to 48"	1.25	6 x 6	11
A11-104	54" to 72"	1.375	7 x 7	32
A11-105	76" to 102"	1.375	9 x 9	70

Other sizes available

## Rain Caps



PART NO.	"A" NOM PIPE SIZE	WT. PER BRACKET
A23-107	4	1.5
A23-108	5	1.75
A23-109	6	6.5
A23-110	8	9
A23-111	10	10.5
A23-112	12	13.5
A23-113	14	15.5
A23-114	16	18
A23-115	18	20.5

Other sizes available

OTHER ACCESSORIES AVAILABLE UPON REQUEST.